



**Piatto Uniko**  
*Uniko hopper*

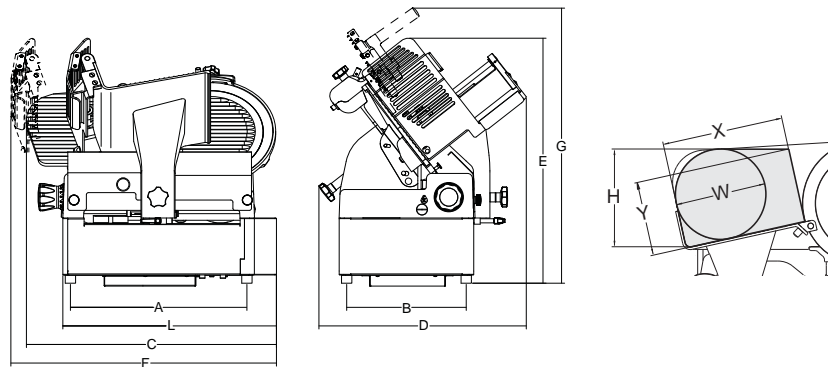


Leva sollevamento, opzionale  
*Lifting lever, optional*

Contafette opzionale  
*Optional slice counter*



Tubo verdure opzionale  
*Optional vegetables tube*



						<b>A</b>	<b>B</b>	<b>C</b>	<b>D</b>	<b>E</b>	<b>F</b>	<b>G</b>	<b>L</b>	<b>X</b>	<b>Y</b>	<b>H</b>	<b>W</b>			
	mm-inch	watt-Hp	mm	mm	mm	mm	mm	mm	mm	mm	mm	mm	mm	mm	mm	mm	mm	kg	mm	kg
<b>Palladio 300 Automec</b>	300/12"	275/180/ 0,37/0,24	23	310	365x270	465	340	685	575	575	751	630	615	240/270	190	240	220	55	840x840x750	70
<b>Palladio 330 Automec</b>	330/13"	275+180/ 0,37+0,24	23	310	365x270	465	340	690	575	575	756	630	615	240/270	210	260	240	56	870x840x750	71
<b>Palladio 350 Automec</b>	350/14"	370+180/ 0,50+0,24	23	310	365x270	465	340	690	575	575	756	630	615	240/270	225	275	250	57	870x840x750	72
- <b>Palladio 350 Automec Frozen</b>	350/14"	370+180/ 0,50+0,24	23	310	365x270	465	340	690	575	575	756	630	615	240/270	225	275	250	57	870x840x750	72

